

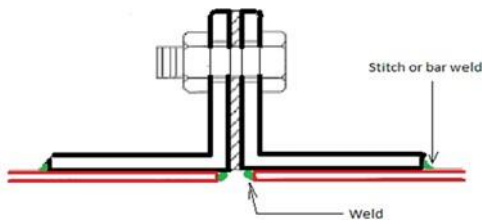
ANGLE RING SPECIFICATIONS

Order Size	Inside Diameter I.D.	Outside Diameter O.D.	Width W	Height H	Thickness T	Bolt Holes Centers B.C.	Hole Size	Number of Holes	Approx. Weight Lbs.
3"	3 1/16"	5 1/16"	1"	7/8"	10 GA	4 5/16"	9/32"	6	0.70
4"	4 1/16"	6 1/16"	1"	15/16"	10 GA	5 5/16"	9/32"	6	0.85
5"	5 1/16"	7 1/16"	1"	1"	10 GA	6 5/16"	9/32"	6	1.18
6"	6 3/32"	8 1/8"	1"	1"	10 GA	7 5/16"	9/32"	6	1.38
7"	7 1/8"	9 1/8"	1"	1"	1/8"	8 7/16"	3/8"	6	1.73
8"	8 1/8"	10 5/8"	1"	1"	1/8"	9 7/16"	3/8"	6	1.90
9"	9 1/8"	11 5/8"	1 1/4"	1 1/4"	1/8"	10 5/8"	7/16"	6	2.55
10"	10 1/8"	12 9/16"	1 1/4"	1 1/4"	1/8"	11 13/16"	7/16"	6	3.05
11"	11 1/8"	13 9/16"	1 1/4"	1 1/4"	1/8"	12 3/4"	7/16"	6	3.25
12"	12 1/8"	15 1/16"	1 1/2"	1 1/2"	1/8"	14"	7/16"	8	3.88
13"	13 1/8"	16 1/16"	1 1/2"	1 1/2"	1/8"	15"	7/16"	8	4.25
14"	14 1/8"	17 1/16"	1 1/2"	1 1/2"	1/8"	16"	7/16"	8	4.75
15"	15 1/8"	18 1/16"	1 1/2"	1 1/2"	3/16"	17"	7/16"	8	7.25
16"	16 1/8"	19 3/16"	1 1/2"	1 1/2"	3/16"	18"	7/16"	8	8.00
17"	17 1/8"	20 3/16"	1 1/2"	1 1/2"	3/16"	19"	7/16"	8	8.25
18"	18 1/8"	22 3/16"	1 1/2"	1 1/2"	3/16"	20"	7/16"	8	8.50
19"	19 1/8"	22 3/16"	1 1/2"	1 1/2"	3/16"	20 3/4"	7/16"	12	8.75
20"	20 1/8"	23 3/16"	1 1/2"	1 1/2"	3/16"	21 3/4"	7/16"	12	9.50
21"	21 1/8"	24 3/16"	1 1/2"	1 1/2"	3/16"	22 3/4"	7/16"	12	10.25
22"	22 1/8"	25 3/16"	1 1/2"	1 1/2"	3/16"	23 3/4"	7/16"	12	10.75
23"	23 1/8"	26 3/16"	1 1/2"	1 1/2"	3/16"	24 7/8"	7/16"	12	11.25
24"	24 1/8"	27 3/16"	1 1/2"	1 1/2"	3/16"	25 7/8"	7/16"	12	11.50
25"	25 1/8"	28 3/16"	1 1/2"	1 1/2"	3/16"	26 7/8"	7/16"	16	12.00
26"	26 1/8"	30 1/8"	2"	2"	3/16"	23 3/8"	7/16"	16	16.75
27"	27 1/8"	31 1/8"	2"	2"	3/16"	29 3/8"	7/16"	16	17.38
28"	28 1/8"	32 1/8"	2"	2"	3/16"	30 3/8"	7/16"	16	18.00
29"	29 1/8"	33 1/8"	2"	2"	3/16"	31 3/8"	7/16"	16	18.75
30"	30 1/8"	34 1/8"	2"	2"	3/16"	32 3/8"	7/16"	16	19.50
31"	31 1/8"	35 1/8"	2"	2"	3/16"	33 3/8"	7/16"	16	20.38
32"	32 1/8"	36 1/8"	2"	2"	3/16"	34 3/8"	7/16"	16	20.75
33"	33 1/8"	37 1/8"	2"	2"	3/16"	35 3/8"	7/16"	16	21.25
34"	34 1/8"	38 1/8"	2"	2"	3/16"	36 3/8"	7/16"	16	22.00
35"	35 1/8"	39 1/8"	2"	2"	3/16"	37 3/8"	7/16"	16	22.50
36"	36 1/8"	40 1/8"	2"	2"	3/16"	38 3/8"	7/16"	16	23.00
37"	37 1/8"	41 1/8"	2"	2"	3/16"	39 3/8"	7/16"	24	23.75
38"	38 1/8"	42 1/8"	2"	2"	3/16"	40 3/8"	7/16"	24	24.50
39"	39 1/8"	43 1/8"	2"	2"	3/16"	41 3/8"	7/16"	24	25.00
40"	40 1/8"	44 1/8"	2"	2"	3/16"	42 3/8"	7/16"	24	25.75
41"	41 1/8"	45 1/8"	2"	2"	3/16"	43 3/8"	7/16"	24	26.13
42"	42 1/8"	46 1/8"	2"	2"	3/16"	44 3/8"	7/16"	24	26.50
43"	43 1/8"	47 1/8"	2"	2"	3/16"	45 3/8"	7/16"	24	27.38
44"	44 1/8"	48 1/8"	2"	2"	3/16"	45 3/8"	7/16"	24	28.00
45"	45 1/8"	49 1/8"	2"	2"	3/16"	47 3/8"	7/16"	24	28.63
46"	46 1/8"	50 1/8"	2"	2"	3/16"	48 3/8"	7/16"	24	29.00
47"	47 1/8"	51 1/8"	2"	2"	3/16"	49 3/8"	7/16"	24	29.88
48"	48 1/8"	52 1/8"	2"	2"	3/16"	50 3/8"	7/16"	24	30.75
49"	49 1/8"	53 1/8"	2"	2"	3/16"	51 3/8"	7/16"	24	31.50
50"	50 1/8"	54 1/8"	2"	2"	3/16"	52 3/8"	7/16"	24	32.00

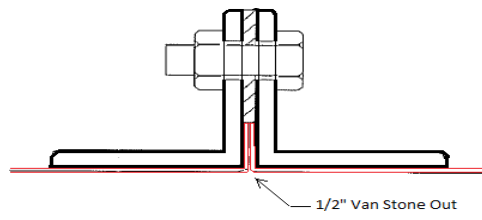
Order Size	Inside Diameter I.D.	Outside Diameter O.D.	Width W	Height H	Thickness T	Bolt Holes Centers B.C.	Hole Size	Number of Holes	Approx. Weight Lbs.
51"	51 1/8"	55 1/8"	2"	2"	3/16"	53 3/8"	7/16"	24	32.75
52"	52 1/8"	56 1/8"	2"	2"	3/16"	54 3/8"	7/16"	24	33.38
53"	53 1/8"	57 1/8"	2"	2"	3/16"	55 3/8"	7/16"	24	34.00
54"	54 1/8"	58 1/8"	2"	2"	3/16"	56 3/8"	7/16"	24	34.75
55"	55 1/8"	59 1/8"	2"	2"	3/16"	57 3/8"	7/16"	32	35.38
56"	56 1/8"	60 1/8"	2"	2"	3/16"	58 3/8"	7/16"	32	36.00
57"	57 1/8"	61 1/8"	2"	2"	3/16"	59 3/8"	7/16"	32	36.50
58"	58 1/8"	62 1/8"	2"	2"	3/16"	60 3/8"	7/16"	32	37.00
59"	59 1/8"	63 1/8"	2"	2"	3/16"	61 3/8"	7/16"	32	37.75
60"	60 1/8"	64 1/8"	2"	2"	3/16"	62 3/8"	7/16"	32	38.50
61"	61 1/8"	65 1/8"	2"	2"	3/16"	63 3/8"	7/16"	32	39.00
62"	62 1/8"	66 1/8"	2"	2"	3/16"	64 3/8"	7/16"	32	39.75
63"	63 1/8"	67 1/8"	2"	2"	3/16"	65 3/8"	7/16"	32	40.38
64"	64 1/8"	68 1/8"	2"	2"	3/16"	66 3/8"	7/16"	32	41.00
65"	65 1/8"	69 1/8"	2"	2"	3/16"	67 3/8"	7/16"	32	41.75
66"	66 1/8"	70 1/8"	2"	2"	3/16"	68 3/8"	7/16"	32	42.38
67"	67 1/8"	71 1/8"	2"	2"	3/16"	69 3/8"	7/16"	32	43.00
68"	68 1/8"	72 1/8"	2"	2"	3/16"	70 3/8"	7/16"	32	43.50
69"	69 1/8"	73 1/8"	2"	2"	3/16"	71 3/8"	7/16"	32	44.25
70"	70 1/8"	74 1/8"	2"	2"	3/16"	72 3/8"	7/16"	32	44.88
71"	71 1/8"	75 1/8"	2"	2"	3/16"	73 3/8"	7/16"	32	45.50
72"	72 1/8"	76 1/8"	2"	2"	3/16"	74 3/8"	7/16"	32	46.25

*** Angle rings listed above are standard stock construction. Heavier construction and higher hole counts may be required for many applications, including industrial systems, negative pressure and high positive pressures.

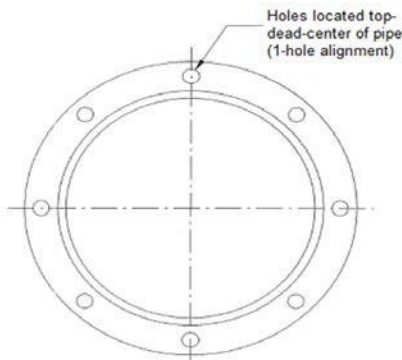
Angle Ring Attachment



Welded Angle Ring



Van Stoned Angle Ring



Standard Angle Ring Alignment

Available Materials

Carbon Steel (Black Iron) – **Standard**
 Hot Dipped Galvanized (ASTM A123)
 Zinc Electroplated (ASTM B633)
 Stainless Steel – 304 & 316
 Aluminum