

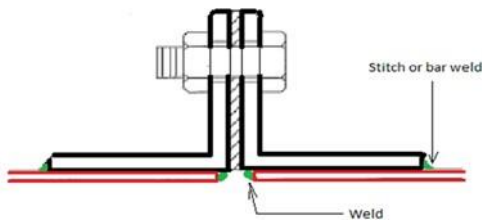
## ANGLE RING SPECIFICATIONS

Order Size	Inside Diameter I.D.	Outside Diameter O.D.	Width W	Height H	Thickness T	Bolt Holes Centers B.C.	Hole Size	Number of Holes	Approx. Weight Lbs.
3"	3 1/16"	5 1/16"	1"	7/8"	10 GA	4 5/16"	9/32"	6	0.70
4"	4 1/16"	6 1/16"	1"	15/16"	10 GA	5 5/16"	9/32"	6	0.85
5"	5 1/16"	7 1/16"	1"	1"	10 GA	6 5/16"	9/32"	6	1.18
6"	6 3/32"	8 1/8"	1"	1"	10 GA	7 5/16"	9/32"	6	1.38
7"	7 1/8"	9 1/8"	1"	1"	1/8"	8 7/16"	3/8"	6	1.73
8"	8 1/8"	10 5/8"	1"	1"	1/8"	9 7/16"	3/8"	6	1.90
9"	9 1/8"	11 5/8"	1 1/4"	1 1/4"	1/8"	10 5/8"	7/16"	6	2.55
10"	10 1/8"	12 9/16"	1 1/4"	1 1/4"	1/8"	11 13/16"	7/16"	6	3.05
11"	11 1/8"	13 9/16"	1 1/4"	1 1/4"	1/8"	12 3/4"	7/16"	6	3.25
12"	12 1/8"	15 1/16"	1 1/2"	1 1/2"	1/8"	14"	7/16"	8	3.88
13"	13 1/8"	16 1/16"	1 1/2"	1 1/2"	1/8"	15"	7/16"	8	4.25
14"	14 1/8"	17 1/16"	1 1/2"	1 1/2"	1/8"	16"	7/16"	8	4.75
15"	15 1/8"	18 1/16"	1 1/2"	1 1/2"	3/16"	17"	7/16"	8	7.25
16"	16 1/8"	19 3/16"	1 1/2"	1 1/2"	3/16"	18"	7/16"	8	8.00
17"	17 1/8"	20 3/16"	1 1/2"	1 1/2"	3/16"	19"	7/16"	8	8.25
18"	18 1/8"	22 3/16"	1 1/2"	1 1/2"	3/16"	20"	7/16"	8	8.50
19"	19 1/8"	22 3/16"	1 1/2"	1 1/2"	3/16"	20 3/4"	7/16"	12	8.75
20"	20 1/8"	23 3/16"	1 1/2"	1 1/2"	3/16"	21 3/4"	7/16"	12	9.50
21"	21 1/8"	24 3/16"	1 1/2"	1 1/2"	3/16"	22 3/4"	7/16"	12	10.25
22"	22 1/8"	25 3/16"	1 1/2"	1 1/2"	3/16"	23 3/4"	7/16"	12	10.75
23"	23 1/8"	26 3/16"	1 1/2"	1 1/2"	3/16"	24 7/8"	7/16"	12	11.25
24"	24 1/8"	27 3/16"	1 1/2"	1 1/2"	3/16"	25 7/8"	7/16"	12	11.50
25"	25 1/8"	28 3/16"	1 1/2"	1 1/2"	3/16"	26 7/8"	7/16"	16	12.00
26"	26 1/8"	30 1/8"	2"	2"	3/16"	23 3/8"	7/16"	16	16.75
27"	27 1/8"	31 1/8"	2"	2"	3/16"	29 3/8"	7/16"	16	17.38
28"	28 1/8"	32 1/8"	2"	2"	3/16"	30 3/8"	7/16"	16	18.00
29"	29 1/8"	33 1/8"	2"	2"	3/16"	31 3/8"	7/16"	16	18.75
30"	30 1/8"	34 1/8"	2"	2"	3/16"	32 3/8"	7/16"	16	19.50
31"	31 1/8"	35 1/8"	2"	2"	3/16"	33 3/8"	7/16"	16	20.38
32"	32 1/8"	36 1/8"	2"	2"	3/16"	34 3/8"	7/16"	16	20.75
33"	33 1/8"	37 1/8"	2"	2"	3/16"	35 3/8"	7/16"	16	21.25
34"	34 1/8"	38 1/8"	2"	2"	3/16"	36 3/8"	7/16"	16	22.00
35"	35 1/8"	39 1/8"	2"	2"	3/16"	37 3/8"	7/16"	16	22.50
36"	36 1/8"	40 1/8"	2"	2"	3/16"	38 3/8"	7/16"	16	23.00
37"	37 1/8"	41 1/8"	2"	2"	3/16"	39 3/8"	7/16"	24	23.75
38"	38 1/8"	42 1/8"	2"	2"	3/16"	40 3/8"	7/16"	24	24.50
39"	39 1/8"	43 1/8"	2"	2"	3/16"	41 3/8"	7/16"	24	25.00
40"	40 1/8"	44 1/8"	2"	2"	3/16"	42 3/8"	7/16"	24	25.75
41"	41 1/8"	45 1/8"	2"	2"	3/16"	43 3/8"	7/16"	24	26.13
42"	42 1/8"	46 1/8"	2"	2"	3/16"	44 3/8"	7/16"	24	26.50
43"	43 1/8"	47 1/8"	2"	2"	3/16"	45 3/8"	7/16"	24	27.38
44"	44 1/8"	48 1/8"	2"	2"	3/16"	45 3/8"	7/16"	24	28.00
45"	45 1/8"	49 1/8"	2"	2"	3/16"	47 3/8"	7/16"	24	28.63
46"	46 1/8"	50 1/8"	2"	2"	3/16"	48 3/8"	7/16"	24	29.00
47"	47 1/8"	51 1/8"	2"	2"	3/16"	49 3/8"	7/16"	24	29.88
48"	48 1/8"	52 1/8"	2"	2"	3/16"	50 3/8"	7/16"	24	30.75
49"	49 1/8"	53 1/8"	2"	2"	3/16"	51 3/8"	7/16"	24	31.50
50"	50 1/8"	54 1/8"	2"	2"	3/16"	52 3/8"	7/16"	24	32.00

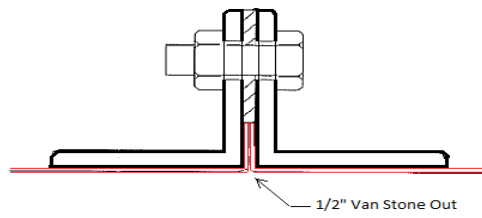
Order Size	Inside Diameter I.D.	Outside Diameter O.D.	Width W	Height H	Thickness T	Bolt Holes Centers B.C.	Hole Size	Number of Holes	Approx. Weight Lbs.
51"	51 1/8"	55 1/8"	2"	2"	3/16"	53 3/8"	7/16"	24	32.75
52"	52 1/8"	56 1/8"	2"	2"	3/16"	54 3/8"	7/16"	24	33.38
53"	53 1/8"	57 1/8"	2"	2"	3/16"	55 3/8"	7/16"	24	34.00
54"	54 1/8"	58 1/8"	2"	2"	3/16"	56 3/8"	7/16"	24	34.75
55"	55 1/8"	59 1/8"	2"	2"	3/16"	57 3/8"	7/16"	32	35.38
56"	56 1/8"	60 1/8"	2"	2"	3/16"	58 3/8"	7/16"	32	36.00
57"	57 1/8"	61 1/8"	2"	2"	3/16"	59 3/8"	7/16"	32	36.50
58"	58 1/8"	62 1/8"	2"	2"	3/16"	60 3/8"	7/16"	32	37.00
59"	59 1/8"	63 1/8"	2"	2"	3/16"	61 3/8"	7/16"	32	37.75
60"	60 1/8"	64 1/8"	2"	2"	3/16"	62 3/8"	7/16"	32	38.50
61"	61 1/8"	65 1/8"	2"	2"	3/16"	63 3/8"	7/16"	32	39.00
62"	62 1/8"	66 1/8"	2"	2"	3/16"	64 3/8"	7/16"	32	39.75
63"	63 1/8"	67 1/8"	2"	2"	3/16"	65 3/8"	7/16"	32	40.38
64"	64 1/8"	68 1/8"	2"	2"	3/16"	66 3/8"	7/16"	32	41.00
65"	65 1/8"	69 1/8"	2"	2"	3/16"	67 3/8"	7/16"	32	41.75
66"	66 1/8"	70 1/8"	2"	2"	3/16"	68 3/8"	7/16"	32	42.38
67"	67 1/8"	71 1/8"	2"	2"	3/16"	69 3/8"	7/16"	32	43.00
68"	68 1/8"	72 1/8"	2"	2"	3/16"	70 3/8"	7/16"	32	43.50
69"	69 1/8"	73 1/8"	2"	2"	3/16"	71 3/8"	7/16"	32	44.25
70"	70 1/8"	74 1/8"	2"	2"	3/16"	72 3/8"	7/16"	32	44.88
71"	71 1/8"	75 1/8"	2"	2"	3/16"	73 3/8"	7/16"	32	45.50
72"	72 1/8"	76 1/8"	2"	2"	3/16"	74 3/8"	7/16"	32	46.25

\*\*\* Angle rings listed above are standard stock construction. Heavier construction and higher hole counts may be required for many applications, including industrial systems, negative pressure and high positive pressures.

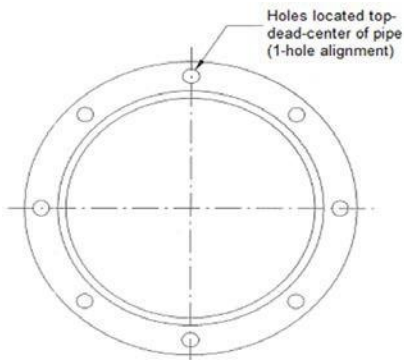
## Angle Ring Attachment



Welded Angle Ring



Van Stoned Angle Ring



Standard Angle Ring Alignment

### Available Materials

Carbon Steel (Black Iron) – **Standard**  
 Hot Dipped Galvanized (ASTM A123)  
 Zinc Electroplated (ASTM B633)  
 Stainless Steel – 304 & 316  
 Aluminum