



Double-Wall Flat Oval – 2005 SMACNA Standards

Positive Pressure to 10"

Standard Gauge Chart

Outer Pressure Shell (O.D.)

Concealed Duct

Major Axis	Spiral Pipe	Spiral Profile	Longseam Pipe/Fittings	Standard Length
To 24"	24	Flat	20	10' – 0"
25" – 36"	22	Flat	20	10' – 0"
37" – 48"	22	Flat	18	10' – 0"
49" – 60"	20	Flat	18	10' – 0"
61" – 70"	20	Flat	16	10' – 0"
71" & Up	18	Flat	16	10' – 0"

Exposed Duct

Major Axis	Spiral Pipe	Spiral Profile	Longseam Pipe/Fittings	Standard Length
To 24"	24	Corrugated	20	8' – 0"
25" – 36"	22	Corrugated	20	8' – 0"
37" – 48"	22	Corrugated	18	8' – 0"
49" – 60"	20	Corrugated	18	8' – 0"
61" – 70"	20	Corrugated	16	8' – 0"
71" & Up	18	Corrugated	16	8' – 0"

Inner Liner (I.D.)

Concealed Duct

Major Axis	Spiral Pipe	Spiral Profile	Longseam Pipe/Fittings	Standard Length
To 24"	24	Flat	20	10' – 0"
25" – 36"	22	Flat	20	10' – 0"
37" – 48"	22	Flat	18	10' – 0"
49" – 60"	20	Corrugated	18	10' – 0"
61" – 70"	20	Corrugated	16	10' – 0"
71" & Up	18	Corrugated	16	10' – 0"

Exposed Duct

Major Axis	Spiral Pipe	Spiral Profile	Longseam Pipe/Fittings	Standard Length
To 24"	24	Flat	20	8' – 0"
25" – 36"	24	Flat	20	8' – 0"
37" – 48"	24	Flat	18	8' – 0"
49" – 60"	24	Corrugated	18	8' – 0"
61" – 70"	24	Corrugated	16	8' – 0"
71" & Up	20	Corrugated	16	8' – 0"



Standard fittings to be spot welded and sealed. Continuously welded seam fittings are available if specified. All PCD and SPOT AgION fittings are riveted and sealed.

Inner liner can be solid or perforated. Perforated material to have 3/32" holes and 3/16" staggered centers for a 23% open area.

One inch insulation layer to meet requirements set forth in NFPA pamphlet #90A as to flame spread and smoke developed. K-value at 75 degree M.T. = 0.26 BTU.

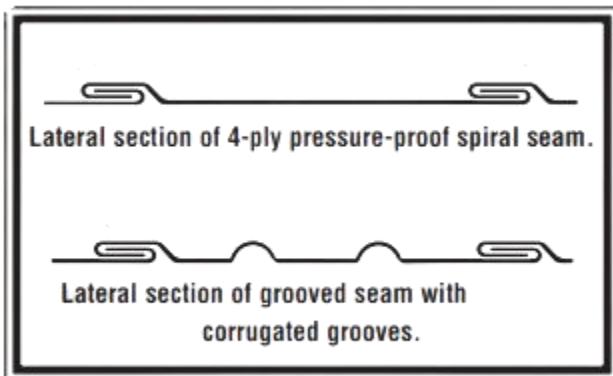
Available Materials

G90 Galvanized
Phosphatized (Galvanneal)
304 Stainless Steel
316 Stainless Steel
PCD (Polyvinyl Coated Galvanized)
3003 Aluminum
SPOT AgION™ (Antimicrobial)

Connectors

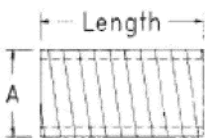
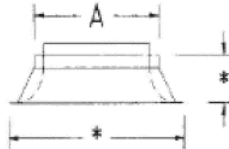

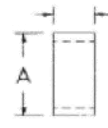
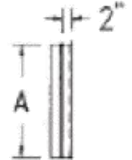

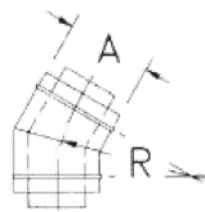
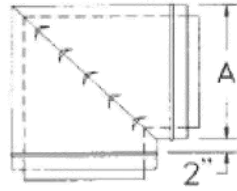
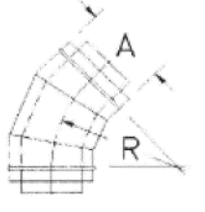
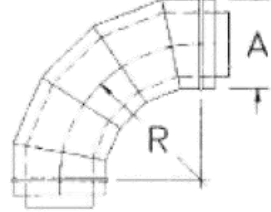
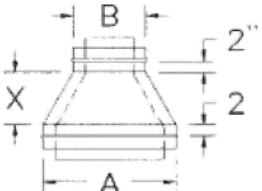
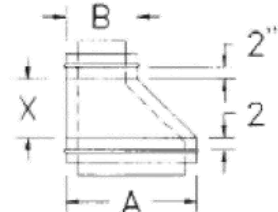
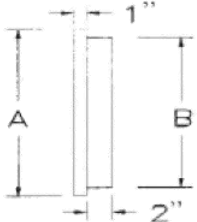
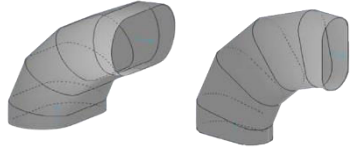
Standard Slip-fit/Couplings
SPOT Flange™
Angle Rings

Spiral Profiles

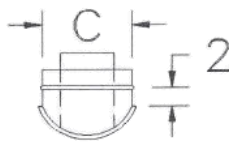
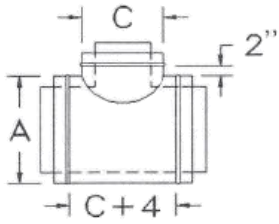
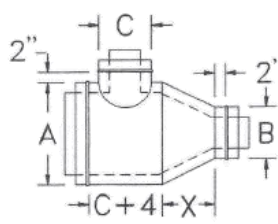
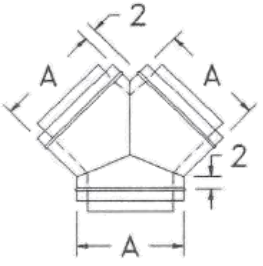
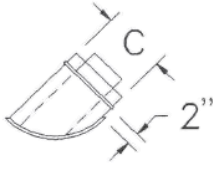
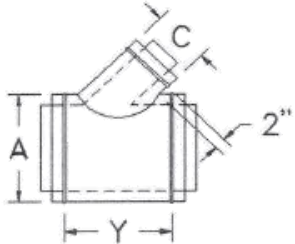
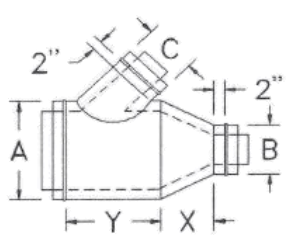
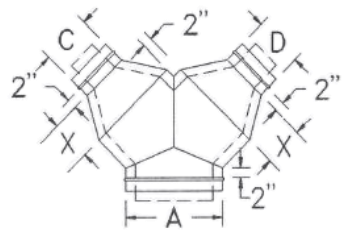
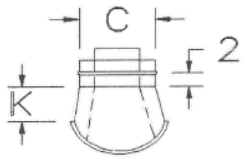
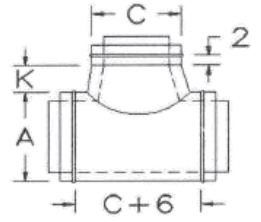
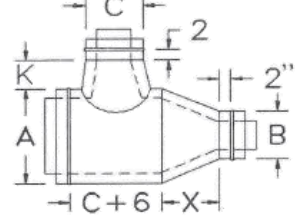
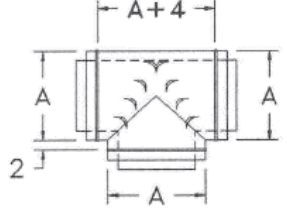
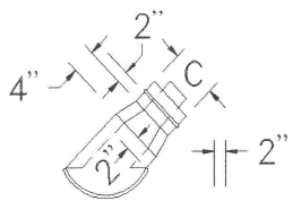
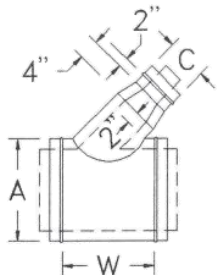
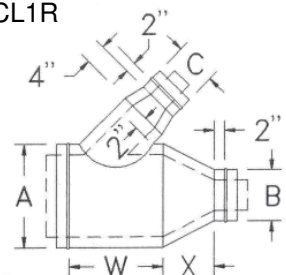
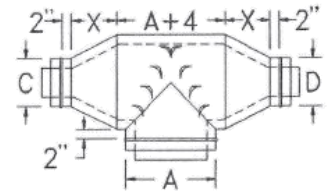
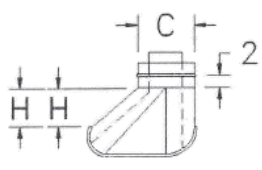
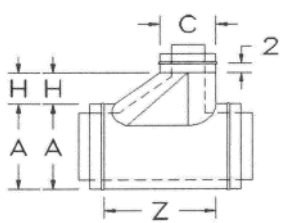
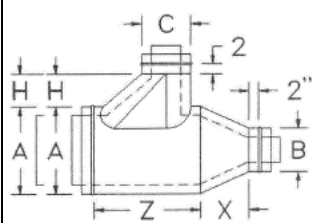
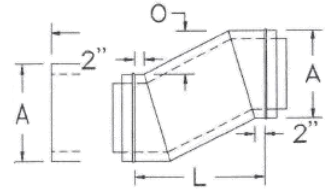


Spiral Pipe of Texas products are manufactured in accordance with the latest SMACNA, ASHRAE, and SPIDA standards. In an on-going effort to improve our products, Spiral Pipe of Texas reserves the right to revise the design and/or specifications of its products as technology advances or applicable standards change.

Double-Wall Flat Oval Spiral Pipe and Fitting Standards

Dimensions			
A = Inlet**** B = Outlet**** C = Branch**** D = Branch**** H = 3" if C = 3" to 8" 6" if C = 9" to 16" 9" if C = 17" to 24" 12" if C = 25" & Up		K = 5 1/4" L = Offset Length O = Offsetting Amount R = 1.5 x A S = 2 T = A/4 + 2 U = A x 2 + 2 **Dimension of Liner = O.D. - (2 x Insulations Thickness) ***End of Liner Extends 2" Past Ends of Fittings ****(Minor X Major OR Major X Minor)	
$V = (A/2 \times 1.414) + ((C + 2)/2) + 6$ $W = (C + 2) \times 1.414 + 4$ $X = 12"$ if A - B = 18" or Less 24" if A - B = 19" or Greater $Y = (1.414 \times C) + 4$ $Z = C + H + 4$ * = Consult Factory			
SP 	B1 	PP 	FF 
		EP 	EC 
Spiral Pipe		Bellmouth	
Couplings		Caps & Plug	
E1 Thru E36 		EV90 	
A = 3" Thru 24"		A = 3" Thru 60"	
2 Gore Elbows		Mitered Elbow	
E37 Thru E71 		E72 Thru E90 	
A = 3" Thru 24"		A = 3" Thru 24"	
3 Gore Elbows		5 Core Elbows	
R1 	ER1 	SD 	
Reducers		Stepdown	
		Bends	

Double-Wall Flat Oval Spiral Pipe and Fitting Standards

LT 	T1 	T1R 	Y2 
Straight 90 Degree Tees			"Y" Fitting
LL 	L1 	L1R 	Y2R 
45 Degree Lateral Tees			Reducing "Y" Fitting
LCT 	CT1 	CT1R 	BT 
Conical 90 Degree Tees			Bullhead Tee
LCL 	CL1 	CL1R 	BTR 
Conical 45 Degree Lateral Tees			Reducing Bullhead
LLL 	LL1 	LL1R 	SET 
Low Loss 90 Degree Tees			Offset

SIZE	
Minor Axis	Major Axis
3	14
3	16
3	17
3	19
3	20
3	22
3	23
3	25
3	27
3	28
3	30
3	31
3	33
3	34
3	36
3	38
3	39
3	42
3	45
3	49
3	52
3	55
3	58
3	61
3	64
3	67
3	71
3	74
3	77

4	15
4	17
4	18
4	20
4	21
4	23
4	24
4	26
4	28
4	29
4	31
4	32
4	34
4	35
4	37

SIZE	
Minor Axis	Major Axis
4	39
4	42
4	45
4	48
4	51
4	54
4	57
4	61
4	64
4	67
4	70
4	73
4	76

5	13
5	14
5	16
5	18
5	19
5	21
5	22
5	24
5	25
5	27
5	29
5	30
5	32
5	33
5	35
5	36
5	38
5	41
5	44
5	48
5	51
5	54
5	57
5	60
5	63
5	66
5	69
5	73
5	76
5	79

SIZE	
Minor Axis	Major Axis
6	14
6	15
6	17
6	19
6	20
6	22
6	23
6	25
6	26
6	28
6	30
6	31
6	33
6	34
6	36
6	37
6	41
6	44
6	47
6	50
6	53
6	56
6	59
6	63
6	66
6	69
6	72
6	75
6	78
6	81
6	85

8	14
8	16
8	18
8	19
8	21
8	22
8	24
8	25
8	27
8	29
8	30
8	32
8	33

SIZE	
Minor Axis	Major Axis
8	35
8	36
8	37
8	39
8	42
8	46
8	49
8	52
8	55
8	58
8	61
8	64
8	65
8	68
8	71
8	74
8	77
8	80
8	83

10	15
10	16
10	18
10	20
10	21
10	23
10	24
10	26
10	28
10	29
10	31
10	32
10	34
10	35
10	38
10	41
10	44
10	48
10	51
10	54
10	57
10	60
10	63
10	66
10	70

SIZE	
Minor Axis	Major Axis
10	73
10	76
10	79
10	82
10	85

12	17
12	18
12	20
12	21
12	23
12	25
12	26
12	28
12	30
12	31
12	33
12	34
12	37
12	40
12	43
12	47
12	50
12	51
12	53
12	56
12	59
12	62
12	65
12	69
12	72
12	75
12	78
12	81
12	84

14	17
14	19
14	20
14	22
14	23
14	25
14	27
14	28
14	30



SIZE	
Minor Axis	Major Axis
14	32
14	33
14	36
14	37
14	39
14	42
14	45
14	49
14	52
14	55
14	58
14	61
14	64
14	67
14	71
14	74
14	77
14	80
14	83
14	86

16	19
16	21
16	22
16	24
16	25
16	27
16	29
16	30
16	32
16	35
16	38
16	41
16	44
16	47
16	51
16	54
16	57
16	60
16	61
16	63
16	66
16	69
16	73
16	76

SIZE	
Minor Axis	Major Axis
16	79
16	82
16	85
16	88

18	21
18	23
18	24
18	26
18	27
18	29
18	31
18	34
18	37
18	40
18	43
18	46
18	49
18	53
18	56
18	59
18	62
18	65
18	68
18	71
18	75
18	78
18	81
18	84
18	87
18	90

20	23
20	25
20	26
20	28
20	29
20	33
20	36
20	39
20	42
20	45
20	48
20	51
20	55

SIZE	
Minor Axis	Major Axis
20	58
20	61
20	64
20	67
20	70
20	73
20	77
20	80
20	83
20	86
20	89
20	92
20	95
20	98
20	102
20	105
20	108
20	111
20	114
20	117
20	121
20	124
20	127

22	25
22	27
22	28
22	31
22	35
22	38
22	41
22	44
22	47
22	50
22	53
22	57
22	60
22	63
22	66
22	69
22	72
22	75
22	79
22	82
22	85

SIZE	
Minor Axis	Major Axis
22	88
22	91
22	94
22	97
22	101
22	104
22	107
22	110
22	113
22	116
22	119
22	122
22	126
22	129

24	27
24	30
24	33
24	37
24	40
24	43
24	46
24	49
24	52
24	55
24	59
24	62
24	65
24	68
24	71
24	74
24	77
24	81
24	84
24	87
24	90
24	93
24	96
24	99
24	102
24	106
24	109
24	112
24	115
24	118

SIZE	
Minor Axis	Major Axis
24	121
24	125
24	128

26	29
26	32
26	35
26	39
26	42
26	45
26	48
26	51
26	54
26	57
26	61
26	64
26	67
26	70
26	73
26	76
26	79
26	83
26	86
26	89
26	92
26	95
26	98
26	101
26	105
26	108
26	111
26	114
26	117
26	120
26	123
26	127

28	31
28	34
28	37
28	41
28	44
28	47
28	50
28	53

Corporate Office
P.O. Box 161547
Fort Worth, TX 76161-1547
Revised May 2023

Manufacturing Facility
600 N. Hays St.
Fort Worth, TX 76102

Phone: 817.877.3543
Fax: 817.877.3545
spotusa.com



SIZE	
Minor Axis	Major Axis
28	56
28	59
28	63
28	66
28	69
28	72
28	75
28	78
28	81
28	85
28	88
28	91
28	94
28	97
28	100
28	103
28	107
28	110
28	113
28	116
28	119
28	122
28	125
28	129

30	33
30	36
30	39
30	43
30	46
30	49
30	52
30	55
30	58
30	61
30	65
30	68
30	71
30	74
30	77
30	80
30	83
30	87
30	90

SIZE	
Minor Axis	Major Axis
30	93
30	96
30	99
30	102
30	105
30	109
30	112
30	115
30	118
30	121
30	124
30	127

32	35
32	38
32	41
32	45
32	48
32	51
32	54
32	57
32	60
32	63
32	67
32	70
32	73
32	76
32	79
32	82
32	85
32	89
32	92
32	95
32	98
32	101
32	104
32	107
32	111
32	114
32	117
32	120
32	123
32	126

SIZE	
Minor Axis	Major Axis
34	38
34	40
34	43
34	47
34	50
34	53
34	56
34	59
34	62
34	65
34	69
34	72
34	75
34	78
34	81
34	84
34	87
34	91
34	94
34	97
34	100
34	103
34	106
34	109
34	113
34	116
34	119
34	122
34	125

36	39
36	42
36	45
36	49
36	52
36	58
36	61
36	64
36	68
36	71
36	74
36	77
36	80
36	83

SIZE	
Minor Axis	Major Axis
36	86
36	89
36	93
36	95
36	98
36	101
36	105
36	108
36	111
36	115
36	118
36	121
36	124